

trinox trocar systems

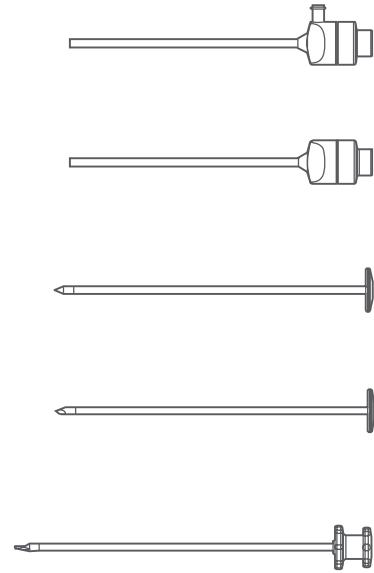
TRINOX is the logical successor of the established XION trocar system with magnetic flap valve. Addressing the increased demand of cost efficiency and automatic processing of instruments, TRINOX has been completely redesigned and is now made of stainless steel. A loosely inserted, hardened stainless steel valve flap is closed and retained in position by a magnetic system. The absence of any mechanical joints or springs ensures a high degree of functionality and safety.

- stainless steel stands for extended lifetime
- no springs or pivots, resulting in the simplest possible construction and a high level of functionality and safety
- easy to use, no additional manual activity is needed to open or close the magnetic flap valve
- no loss of gas when changing instruments
- instruments and optical systems can be easily and safely inserted and removed
- dismantling and cleaning is safe and simple, all equipment can be autoclaved
- low weight, compact dimensions
- ergonomic design
- high insufflation rate
- the elliptical chamfer of the trocar sheath increases the distal opening and facilitates the removal of tissue



trocars 2.7 mm

	length 70 mm	length 100 mm	length 120 mm	length 150 mm
trocar sleeves				
with gas tap		110 639 232	110 639 200	
without gas tap		110 639 233	110 639 201	
trocars				
conical tip, closed		110 239 172	110 239 108	
pyramidal tip, closed		110 239 173	110 239 109	
shielded trocar				
without handle		110 239 181	110 239 117	



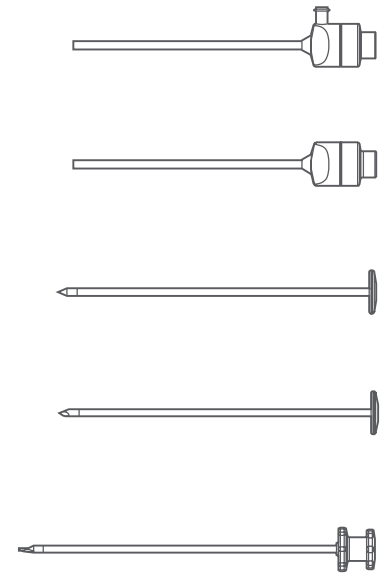
spare parts 2.7 mm

	length 70 mm	length 100 mm	length 120 mm	length 150 mm
cap seal				
standard			110 231 602	
valve flap				
5.5			110 231 215	
sealing ring				
for valve body			110 236 217	
valve body				
3.5			110 636 901	



trocars 3.5 mm

	length 70 mm	length 100 mm	length 120 mm	length 150 mm
trocar sleeves				
with gas tap	110 636 204		110 636 200	
without gas tap	110 636 205		110 636 201	
trocars				
conical tip, closed	110 236 112		110 236 108	
pyramidal tip, closed	110 236 113		110 236 109	
shielded trocar				
without handle			110 236 117	



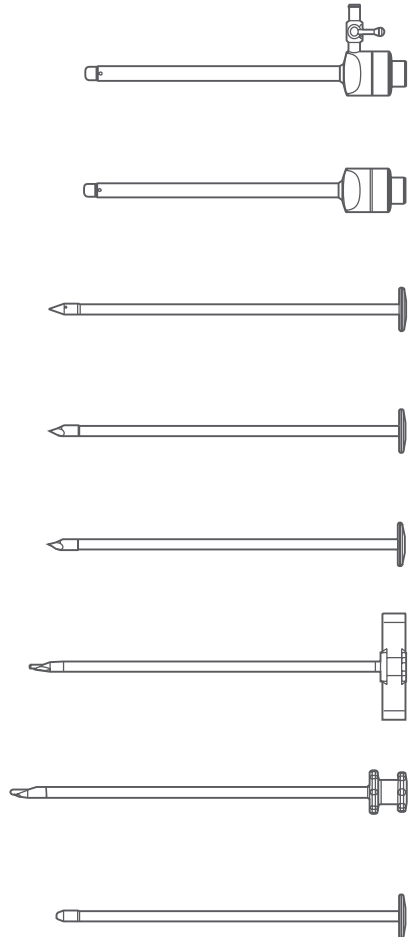
spare parts 3.5 mm

	length 70 mm	length 100 mm	length 120 mm	length 150 mm
cap seal				
standard			110 231 602	
valve flap				
5.5			110 231 215	
sealing ring				
for valve body			110 236 217	
valve body				
3.5			110 636 901	



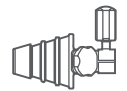
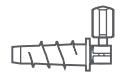
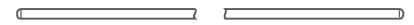
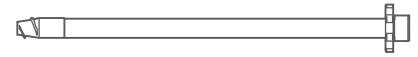
trocars 5.5 mm

	length 70 mm	length 100 mm	length 120 mm	length 150 mm
trocar sleeves				
with gas tap	110 631 204	110 631 232	110 631 200	110 631 202
without gas tap	110 631 205	110 631 233	110 631 201	110 631 203
trocars				
conical tip	110 231 104	110 231 164	110 231 100	110 231 102
pyramidal tip	110 231 105	110 231 165	110 231 101	110 231 103
pyramidal tip, closed		110 231 173	110 231 109	
shielded trocars				
with handle			110 231 133	
without handle		110 231 181	110 231 117	
obturator				
blunt tip, closed			110 231 308	



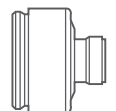
accessories 5.5 mm

	length 70 mm	length 100 mm	length 120 mm	length 150 mm
dilatation sleeves				
5/11			110 231 451	
guide tube				
			110 231 440	
fixation sleeve				
			110 231 550	
HASSON cone				
for mini laparotomy with thread fixation			110 231 563	



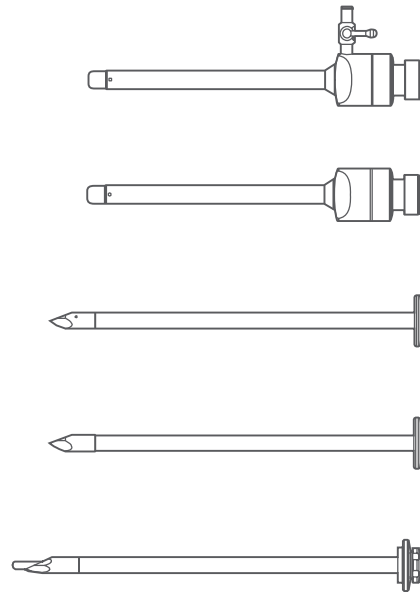
spare parts 5.5 mm

	length 70 mm	length 100 mm	length 120 mm	length 150 mm
cap seals				
5.5 standard			110 231 211	
for instr. Ø 3.0 – 4.5 mm			110 231 602	
valve flap				
5.5			110 231 215	
sealing ring				
for valve body			110 236 217	
valve body				
5.5			110 631 901	
clamping screw				
for fixation sleeve and HASSON cone			110 230 901	



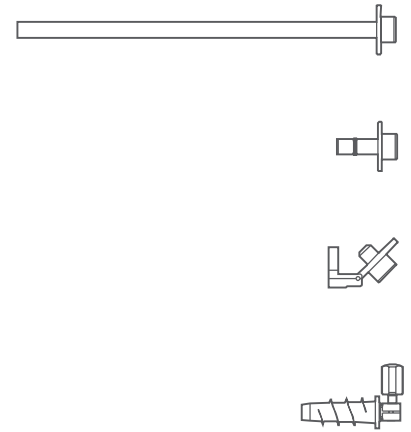
trocars 8 mm

	length 70 mm	length 100 mm	length 120 mm	length 150 mm
trocar sleeves				
with gas tap			110 634 200	
without gas tap			110 634 201	
trocars				
pyramidal tip			110 234 101	
pyramidal tip, closed			110 234 109	
shielded trocar				
without handle			110 234 117	



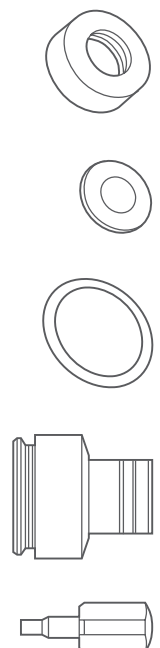
accessories 8 mm

	length 70 mm	length 100 mm	length 120 mm	length 150 mm
extraction sleeves				
8/5.5			110 234 405	
reducer adapter				
8/5.5			110 234 505	
flap reducer				
8/5.5			110 234 525	
fixation sleeve				
			110 234 550	



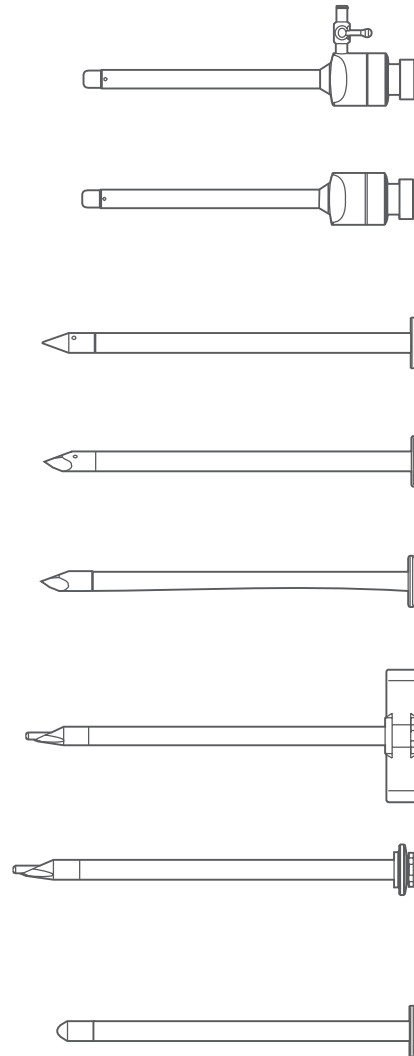
spare parts 8 mm

	length 70 mm	length 100 mm	length 120 mm	length 150 mm
cap seals				
8, standard			110 234 211	
for instr. Ø 5.0 – 6.0 mm			110 234 604	
valve flap				
10			110 230 215	
sealing rings				
for valve body			110 230 217	
for reducer adapter			110 234 218	
valve body				
8			110 634 901	
clamping screw				
for fixation sleeve and HASSON cone			110 230 901	



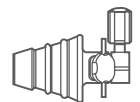
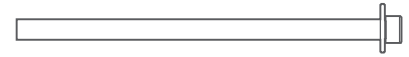
trocars 10 mm

	length 70 mm	length 100 mm	length 120 mm	length 150 mm
trocar sleeves				
with gas tap	110 630 204	110 630 232	110 630 200	110 630 202
without gas tap	110 630 205	110 630 233	110 630 201	110 630 203
trocars				
conical tip	110 230 104	110 230 164	110 230 100	110 230 102
pyramidal tip	110 230 105	110 230 165	110 230 101	110 230 103
pyramidal tip, closed			110 230 109	
shielded trocars				
with handle			110 230 133	
without handle		110 230 181	110 230 117	
obturator				
blunt tip, closed			110 230 308	



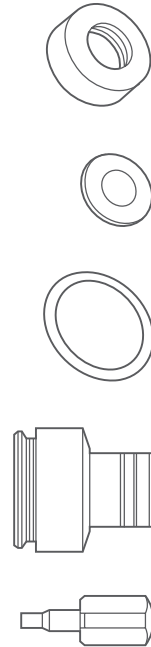
accessories 10 mm

	length 70 mm	length 100 mm	length 120 mm	length 150 mm
extraction sleeves				
10/5.5			110 230 405	
10/8			110 230 408	
reducer adapters				
10/5.5			110 230 505	
10/8			110 230 508	
flap reducers				
10/5.5			110 230 525	
10/8			110 230 528	
fixation sleeve				
standard			110 230 550	
HASSON cone				
for mini laparotomy with thread fixation			110 230 563	



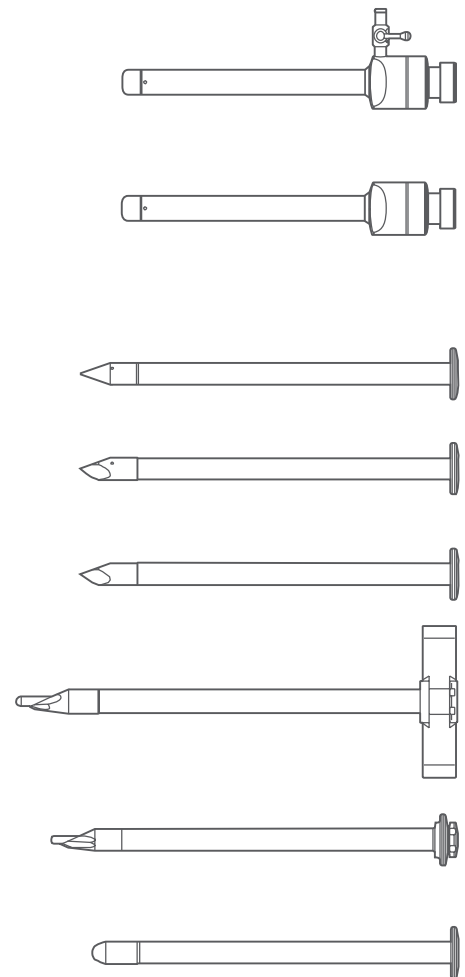
spare parts 10 mm

	length 70 mm	length 100 mm	length 120 mm	length 150 mm
cap seals				
10, standard			110 230 211	
for instr. Ø 5.0 – 6.0 mm			110 234 604	
for instr. Ø 9.0 – 10.0 mm			110 234 608	
valve flap				
10			110 230 215	
sealing rings				
for valve body			110 230 217	
for reducer adapter			110 231 218	
valve body				
10			110 630 901	
clamping screw				
for fixation sleeve and HASSON cone			110 230 901	



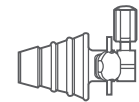
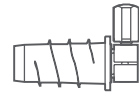
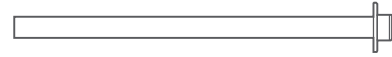
trocars 11 mm

	length 70 mm	length 100 mm	length 120 mm	length 150 mm
trocar sleeves				
with gas tap			110 632 200	
without gas tap			110 632 201	
trocars				
conical tip			110 232 100	
pyramidal tip			110 232 101	
pyramidal tip, closed			110 232 109	
shielded trocars				
with handle			110 232 133	
without handle			110 232 117	
obturator				
blunt tip, closed			110 232 308	



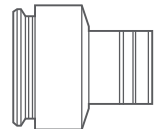
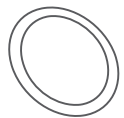
accessories 11 mm

	length 70 mm	length 100 mm	length 120 mm	length 150 mm
extraction sleeve				
11/5.5			110 232 405	
reducer adapters				
11/5.5			110 232 505	
11/8			110 232 508	
11/10			110 232 510	
flap reducers				
11/5.5			110 232 525	
11/8			110 232 528	
11/10			110 232 520	
fixation sleeve				
			110 232 550	
HASSON cone				
for mini laparotomy with thread fixation			110 232 563	



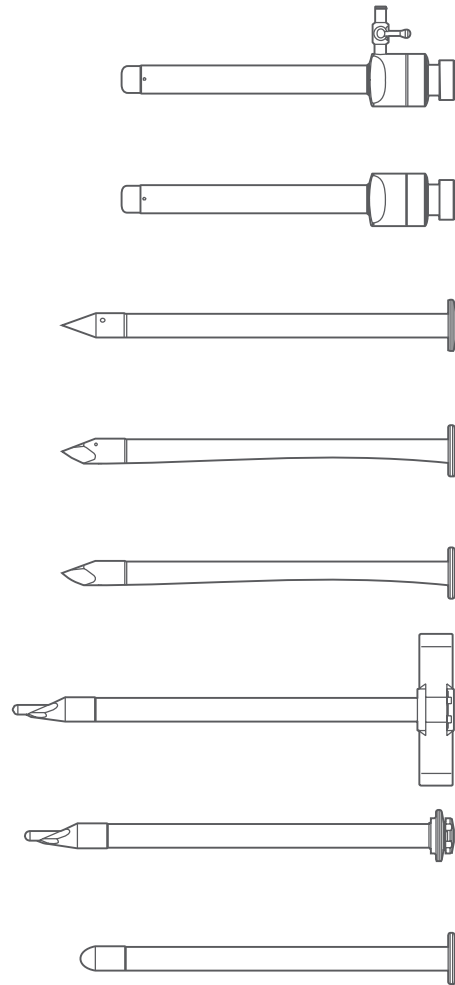
spare parts 11 mm

	length 70 mm	length 100 mm	length 120 mm	length 150 mm
cap seals				
10, standard			110 230 211	
for instr. Ø 9.0–10.0 mm			110 234 608	
valve flap				
10			110 230 215	
sealing rings				
for valve body			110 230 217	
for reducer adapter 11/5.5			110 231 218	
for reducer adapter 11/8			110 233 219	
valve body				
11			110 632 901	
clamping screw				
for fixation sleeve and HASSON cone			110 230 901	



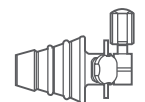
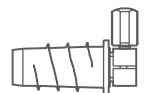
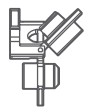
trocars 13 mm

	length 70 mm	length 100 mm	length 120 mm	length 150 mm
trocar sleeves				
with gas tap			110 637 200	
without gas tap			110 637 201	
trocars				
conical tip			110 237 100	
pyramidal tip			110 237 101	
pyramidal tip, closed			110 237 109	
shielded trocars				
with handle			110 237 133	
without handle			110 237 117	
obturator				
blunt tip, closed			110 237 308	



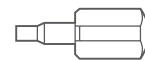
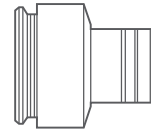
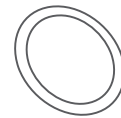
accessories 12.5 mm – 13 mm

	length 70 mm	length 100 mm	length 120 mm	length 150 mm
extraction sleeves				
12.5/5.5			110 233 405	
12.5/10			110 233 410	
reducer adapters				
12.5/5.5			110 233 505	
12.5/8			110 233 508	
12.5/10			110 233 510	
12.5/11			110 233 511	
flap reducers				
12.5/5.5			110 233 525	
12.5/8			110 233 528	
12.5/10			110 233 520	
12.5/11			110 233 521	
double flap reducers				
12.5/5.5+8			110 233 531	
12.5/5.5+10			110 233 530	
12.5/5.5+11			110 233 532	
12.5/8+10			110 233 533	
12.5/8+11			110 233 534	
12.5/10+11			110 233 535	
fixation sleeve				
			110 233 550	
HASSON cone				
for mini laparotomy with thread fixation			110 233 563	



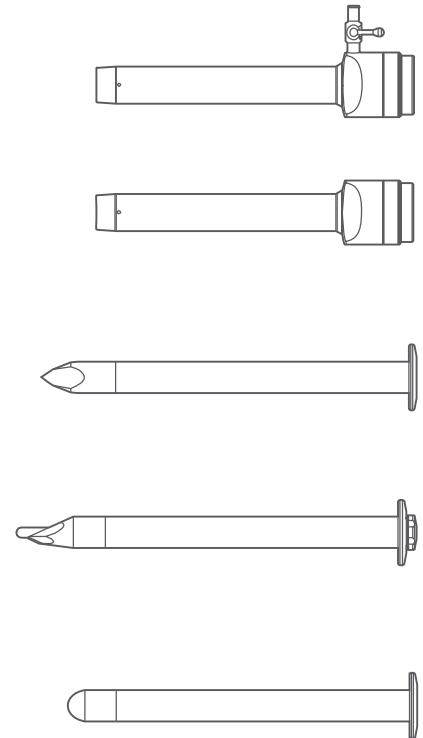
spare parts 13 mm

	length 70 mm	length 100 mm	length 120 mm	length 150 mm
cap seal				
13, standard			110 237 211	
valve flap				
12,5			110 230 215	
sealing rings				
for valve body			110 230 217	
for reducer adapter 12.5/5.5, 12.5/8			110 233 218	
for reducer adapter 12.5/10			110 233 219	
valve body				
12,5			110 637 901	
clamping screw				
for fixation sleeve and HASSON cone			110 230 901	



trocars 16 mm

	length 70 mm	length 100 mm	length 120 mm	length 150 mm
trocar sleeves				
with gas tap			110 635 200	110 635 202
without gas tap			110 635 201	110 635 203
trocar				
pyramidal tip, closed			110 235 109	110 235 111
shielded trocar				
without handle			110 235 117	
obturator				
blunt tip, closed			110 235 308	



accessories 16 mm

	length 70 mm	length 100 mm	length 120 mm	length 150 mm
extraction sleeves				
16/5.5			110 235 415	110 235 425
16/12.5			110 235 412	110 235 422
reducer adapters				
16/5.5			110 235 505	
16/10			110 235 510	
16/12.5			110 235 512	



spare parts 16 mm

	length 70 mm	length 100 mm	length 120 mm	length 150 mm
sealing				
16			110 235 211	
valve flap				
16			110 235 215	
valve body				
16			110 635 901	
sealing ring				
for valve body			110 235 217	

